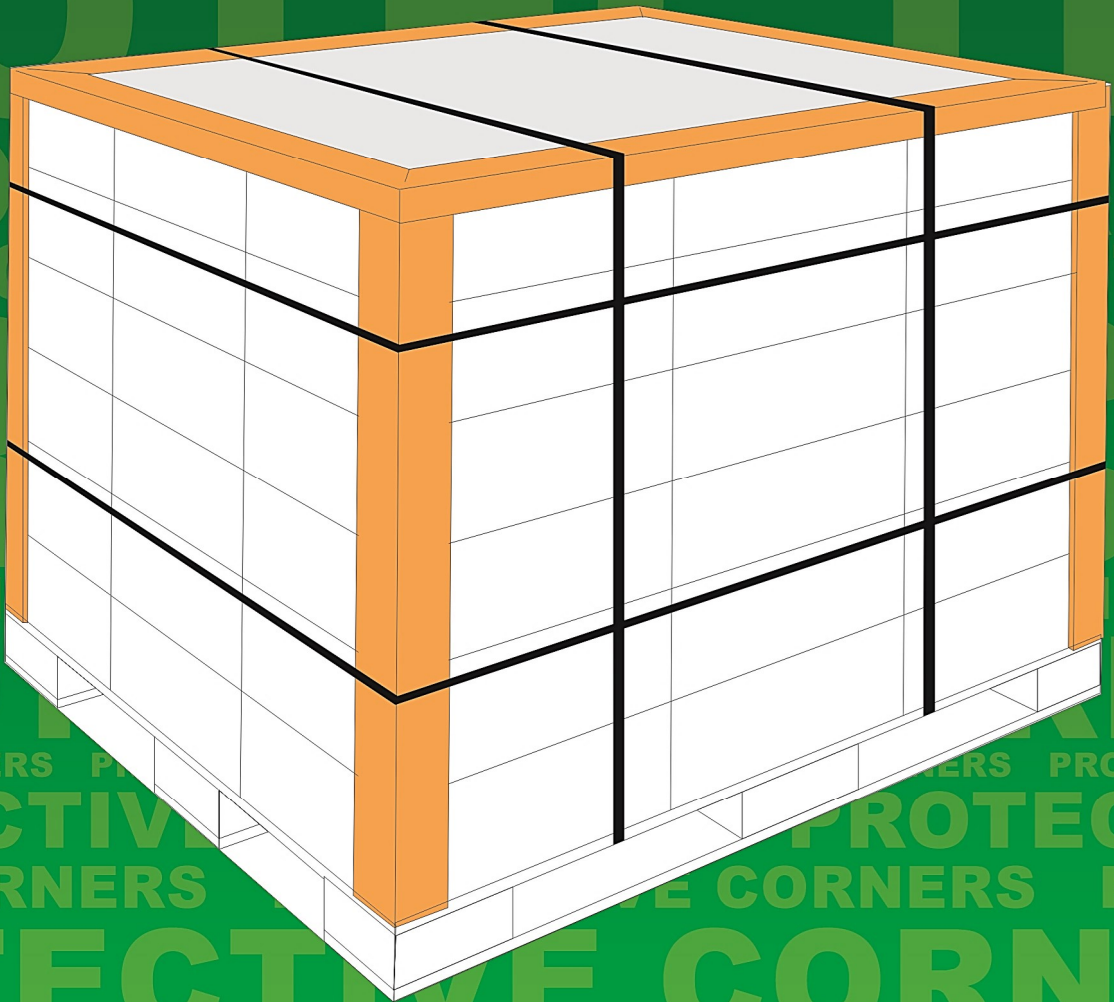


www.kefac.com.eg

# PROTECTIVE PACKAGING



# KEFAC

EL-KINAWY ENGINEERING FACTORIES

Smart Structure

# KEFAC Protective corners

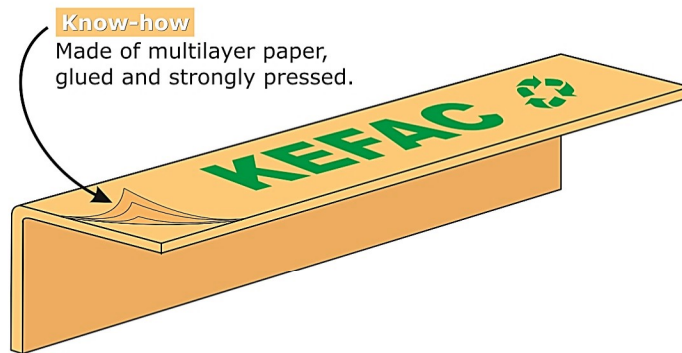
Protective Package Solution

## Smart Structure

protective corners are used in a multitude of applications where durable corner protection is required. Protective corners are particularly useful where compression strength is required.

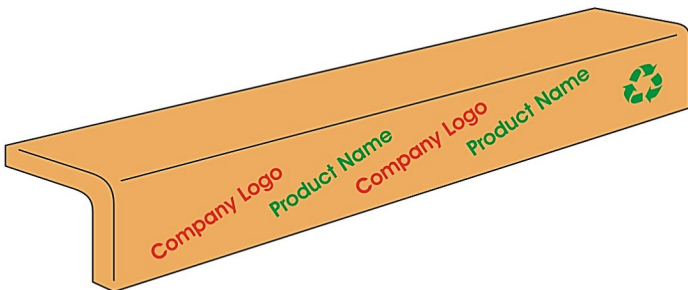
## Features:

- ▶ Optimum protection
- ▶ Durable
- ▶ Versatile
- ▶ Lightweight
- ▶ Recyclable
- ▶ Environmentally Friendly
- ▶ Cost-saving
- ▶ Printable "up to 4 colors"

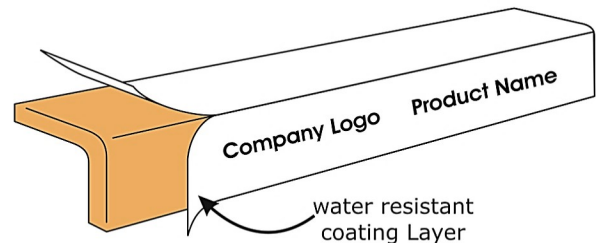


## Types:

**SD**  **Standard**  
Print your logo, Identity or Product name



**WR**  **Water Resistant**  
Water resistant coating

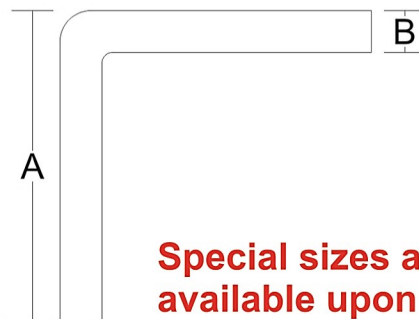


**Ideal for frozen and refrigerated storage**

## Specification:

A/B	2.5	3	4	5	6	7
30	■	●	●	●	✗	✗
35	●	■	●	●	✗	✗
40	●	●	■	●	●	✗
50	●	●	●	■	●	●
60	●	●	●	■	●	●
70	●	●	●	■	●	●

■ Standard      ● Available      ✗ Not Available



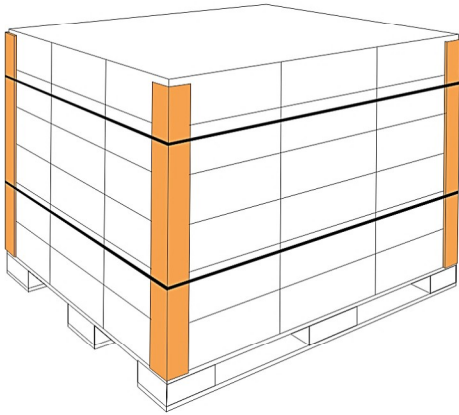
**Special sizes and thicknesses available upon request.**

Specifications are subject to change without prior notice

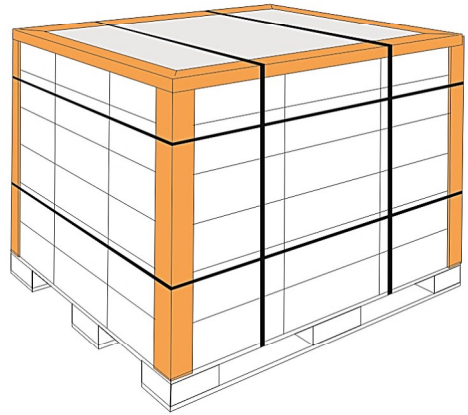
## Applications:

- ▶ The need of foam can often be eliminated protective Corners.
- ▶ We offer wide range of sizes and thicknesses.

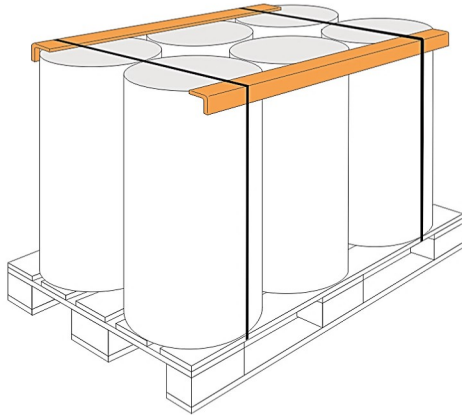
### Vertical protection



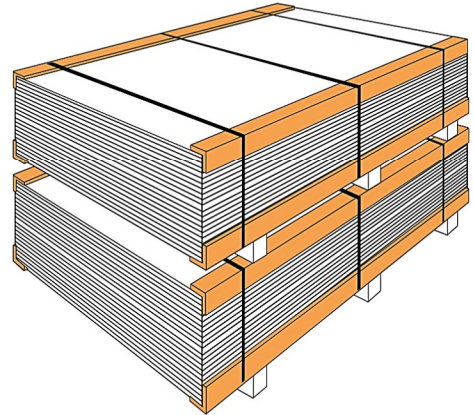
### Frame protection



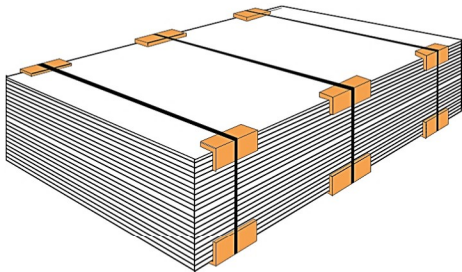
### Side protection



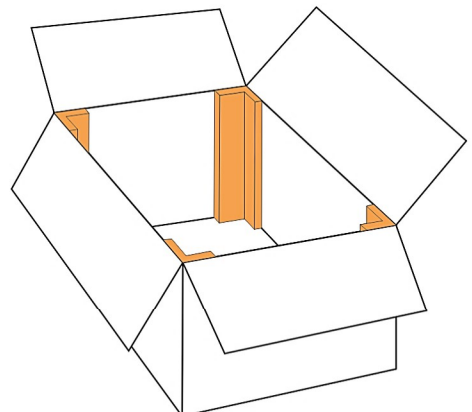
### Edge protection



### Edge protector



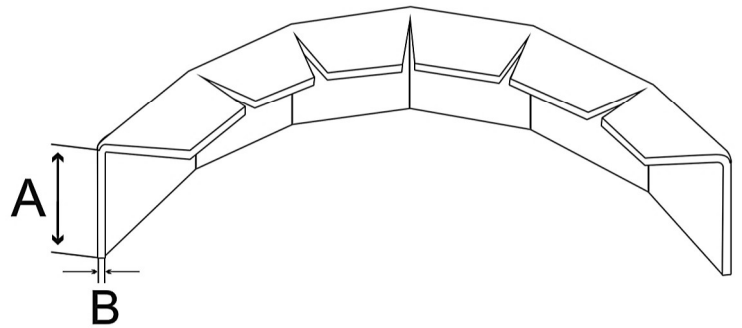
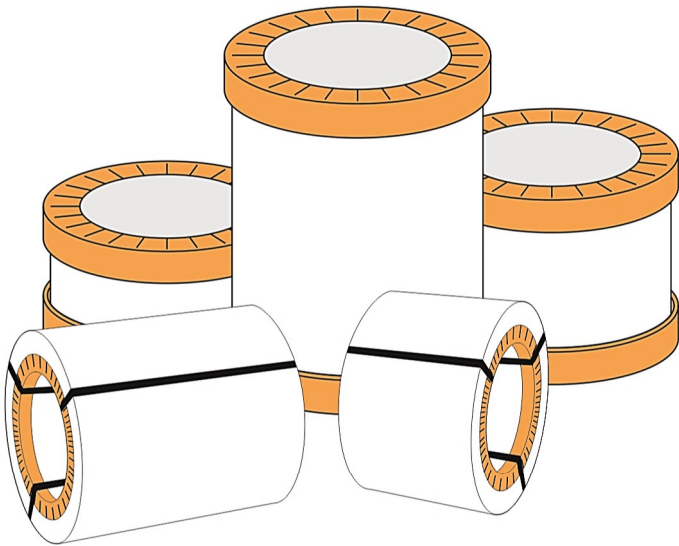
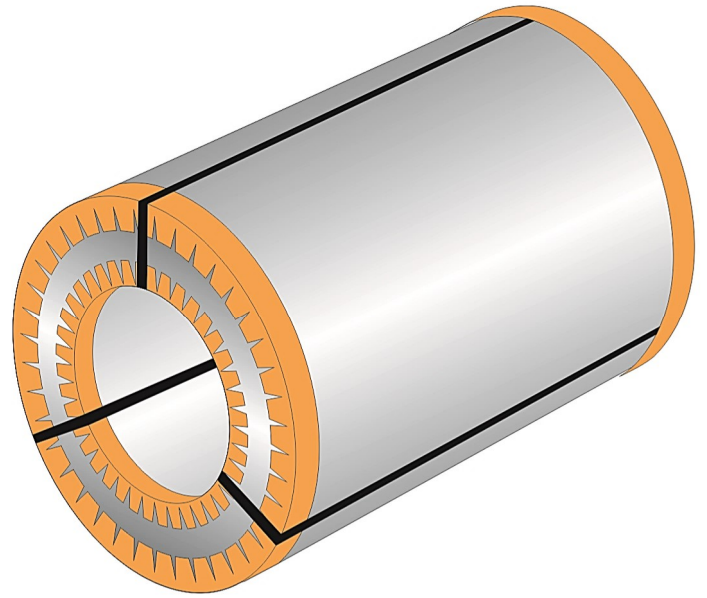
### Stacking strength



A Cleaner, Greener End Product Infinitely protective.

**WA** **Wrap-Around**  
Inside and Outside Ideal Protection

- ▶ KEFAC WA is especially designed to protect round and irregularly shaped objects.
- ▶ Suitable solution can be found for both heavy duty and very light applications.
- ▶ The flexible wrap-around is easy to use for inside or outside protection



**Technical Specifications:**

A mm	30-40-50
B mm	2-3
Length cm	800-3000



Head Office:  
6 Abdel-Salam Zaki St. - Heliopolis  
Cairo - Egypt Postal Code: 11341  
Tel: +2 02 2690 65 65  
Tel: +2 02 2690 75 75  
Tel: +2 02 2414 89 52  
Fax: +2 02 2417 09 98

Factories:  
10<sup>th</sup> of Ramadan City  
Industrial Zone A1' - Egypt  
Tel: +2 015 410 558  
Fax: +2 015 410 338  
email: info@kefac.com.eg  
www.kefac.com.eg

